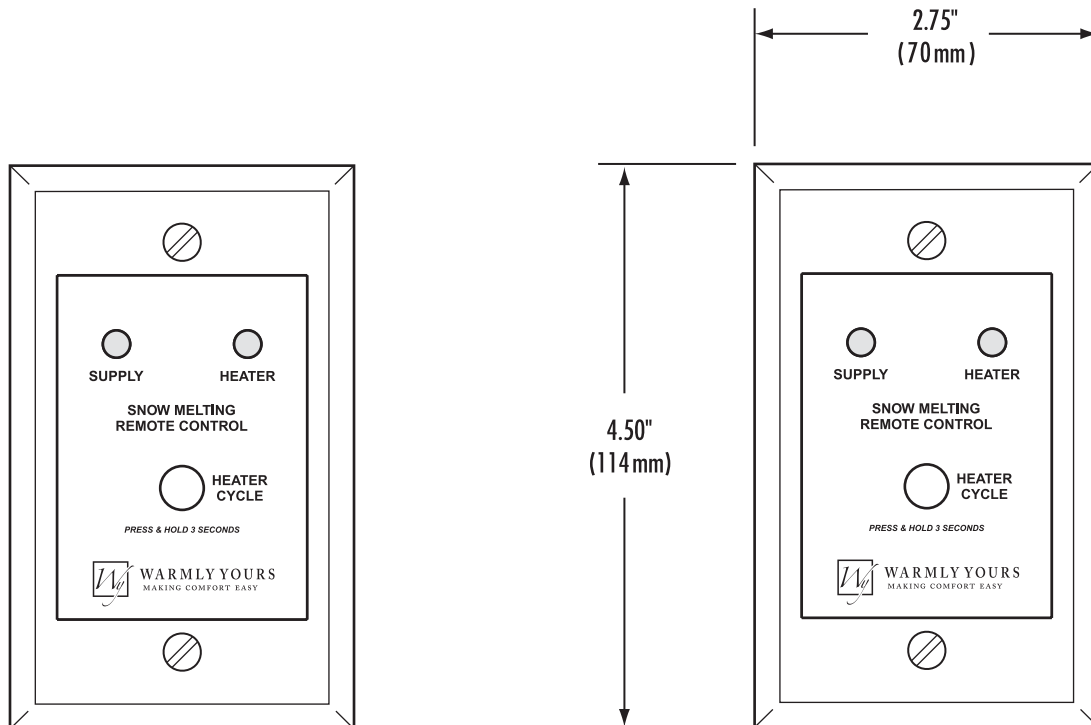


FEATURES & BENEFITS

- Supervise snow/ice melting from a convenient location
- Complete melting under unusual environmental conditions
- Easy to install and affordable
- Manual override allows user greater control



DESCRIPTION

The Remote Control Override, RCO, is an accessory for use with the SCP-120 Premium Snow Melt Control and the SCADUAL Advanced Control. Control panels are usually located with other building mechanical and electrical equipment. The RCO provides a convenient and economical means of monitoring and controlling a snow/ice melting system from a remote location.

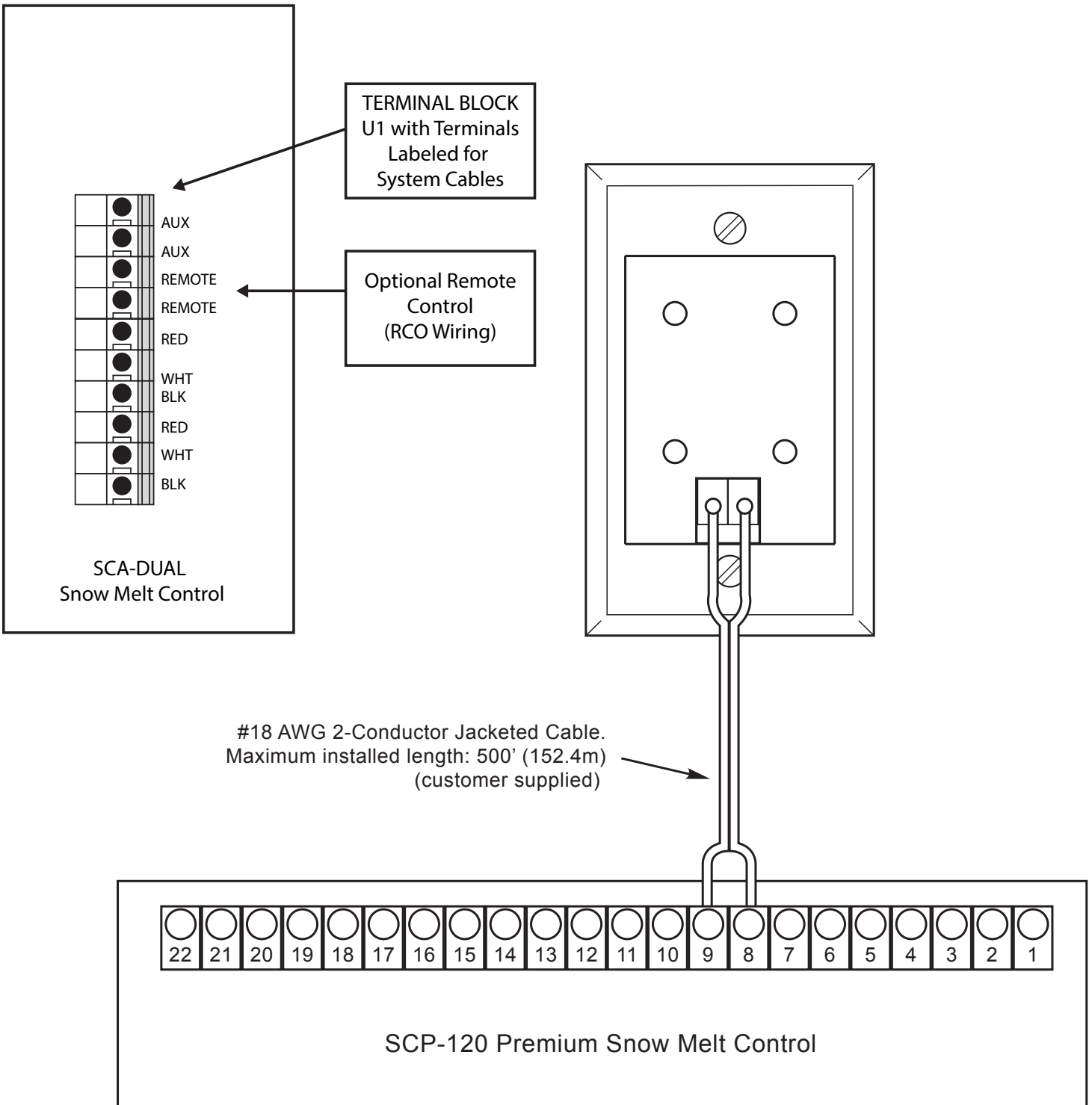
Environmental conditions sometimes require overriding automatic heater operation. Typical examples include situations where the sensor is not exposed to drifting or tracked snow and slush. Locations such as parking garage entrances, building portals and loading docks are often

exposed to tracking problems. Additionally, spring and fall storms can deposit heavy, wet snow at a rate the heaters cannot melt. Operating the heaters for the hold-on time generally resolves these problems.

The RCO provides a switch for operating the heaters for the hold-on time. Indicators show the status of the snow/ice melting system.

The RCO mounts in an indoor single-gang switch box suitable for either a flush or surface mounted installation. It is wired to the control panel. Maximum distance from SCP-120 control panel up to 500' (152.4m) of #18 wire via a NEC Class 2 low voltage circuit.

TYPICAL INSTALLATION



OPERATION

Indicators

- SUPPLY (green) shows that power is present.
- HEAT (yellow) shows that there is a call for heat. This happens during snow and for the Hold-On time thereafter or when the heater cycle switch is operated.

Adjustments

Cycle Time adjustment sets the time heaters will operate when the Heater Cycle switch is momentarily depressed at the RCU-3.

Switches

Heater Cycle switch momentarily depressed will start a manual Heater Cycle for the Cycle Time setting. Momentarily depressed while heaters are being operated by a Hold-On Timer or during manual Heater Cycle will end the Heater Cycle. Note that Heater Operation during snow conditions cannot be canceled in this manner.

The RCU Cycle Time adjustment dial moves in discrete increments rather than in a continuous motion as on the snow melt controller. Cycle Time on the RCU-3 applies only to a manual heating cycle initiated at the RCU-3, not the Cycle Time setting on the snow melt controller. The RCU-3 cannot be used to manually cancel a heating cycle which was manually initiated by the snow melt controller.

To manually start a heating cycle, press the RCU-3 Heater Cycle control button. The RCU-3 HEAT LED light will come on. This will start a heating cycle which will last as long as the RCU-3 Cycle Time setting. To manually cancel a current heating cycle that was manually set at the RCU-3, press the RCU-3 Heater Cycle button. The RCU-3 HEAT LED light will go out. To use the RCU-3 to change the duration of a heating cycle, rotate the RCU-3 CYCLE TIME adjustment dial to the desired setting, either higher or lower.

ORDERING INFORMATION

| ORDER NUMBER | DESCRIPTION | SNOW MELT CONTROL (SOLD SEPARATELY) |
|--------------|---|---|
| RCO | RCO REMOTE CONTROL OVERRIDE SCP-120 AND SCA-DUAL SNOW MELT CONTROLS | SCP-120 PREMIUM SNOW MELT CONTROL SCA-DUAL SNOW MELT CONTROL |

LIMITED WARRANTY

WarmlyYours 2-year limited warranty covering defects in workmanship and materials applies. Contact your Account Manager for complete warranty information.

This document is the property of WarmlyYours. Subject to change without notice.