



Hardwired Model Shown

WarmlyYours Infinity Towel Warmer Installation & Operation Manual

Thank you for choosing a finely crafted WarmlyYours Infinity towel warmer. The Infinity's radiant heat gently warms your towel or bathrobe, allowing you to wrap yourself in luxurious comfort as you step out of the bath or shower. Included in this document are all necessary installation and operating instructions.

To locate the model number, refer to the product label as shown in Diagram D on page 8. If you encounter any difficulties while installing your towel warmer, installation support is available by phone between 8:00 a.m. and 5:30 p.m. CT, Monday through Friday by calling (800) 875-5285. **If a return is necessary, please use original packaging.**

SAFETY INFORMATION

- Never stand, sit on, or hang on the towel warmer unit.
- Never allow children to play on or with the towel warmer.
- Make sure that the electrical circuit breaker is shut off at the main panel before wiring or servicing your towel warmer.
- The towel warmer must be properly grounded.
- All wiring must be in accordance with the National Electrical Code (NEC) and Canadian Electrical Code (CEC) and should be performed by a licensed professional who is certified to do electrical wiring.
- Never place your towel warmer inside a shower, sauna, or steam room.
- Never attempt to warm more than two (2) towels on the towel warmer at a time. Overloading the towel warmer will cause the unit to become extremely hot and may result in a burn if touched. (See page 10 for additional information.)
- Infinity towel warmers are cETLus listed for use in US and Canadian markets.
- Never use an extension cord (for plug-in model).

CLEANING INFORMATION

Clean the towel warmer with a soft, non-abrasive, damp cloth while warm. Once the towel warmer has cooled, lightly polish with a soft, dry cloth. Do not use abrasive cleaning powders, metal polish, or chlorine based cleaners on any part of the towel warmer.

INSTALLATION

This appliance must be installed in accordance with the instructions in the manual and the NEC and CEC guidelines relating to electrical fixtures in bathrooms. The towel warmer must be on a GFCI-protected circuit and be wired by a professional who is certified to do electrical wiring. If the towel warmer does not heat upon initial installation, PLEASE VERIFY THAT THE POWER SWITCH, LOCATED AT THE BOTTOM OF THE LEFT, VERTICAL POST, IS IN THE ON POSITION.

1. Affixing the Towel Warmer to the Wall

Step 1

Draw a diagram of the preferred location of the brackets and the electrical connection on the towel warmer box to create a template (see Step 2 for template instructions). At least two of the four brackets must be attached directly to a stud.

The Infinity Plug-In model must be installed less than 6 feet (183cm) from a properly grounded outlet to ensure the plug can reach. Make sure to measure the distance from where to plug is attached to the towel warmer to the electrical outlet. Do NOT use an extension cord to make the connection between the towel warmer plug and outlet.

Step 2

- A. Attach tubing into desired positions on the towel warmer (see pages 5-8 for bracket assembly).
- B. Place towel warmer on the box (or a large sheet of paper) and lay on a flat surface with brackets facing downwards.
- C. Mark the location of the following:
 - The electrical collar (hardwired model only)
 - The location of the brackets
- D. Use the template as a guide to mark the wall with the correct locations of the four brackets, ensuring the following:
 - The electrical collar is lined up with the center of the electrical box (hardwired model only). Plug-in model must be installed less than 6 feet (183cm) from properly grounded outlet. Do NOT use an extension cord.
 - At least two of the brackets are lined up with a wall stud.
 - The towel warmer is level.

Step 3

Install the brackets onto the wall. Use the drywall anchors that are supplied for the brackets that are not being installed into a stud. Refer to **Diagrams A and B**.

1. Affixing the Towel Warmer to the Wall (continued)

Note: Dimensions shown are distances between the center of anchor points. This example shows 16 inches on center construction. Your situation may vary depending on stud spacing.


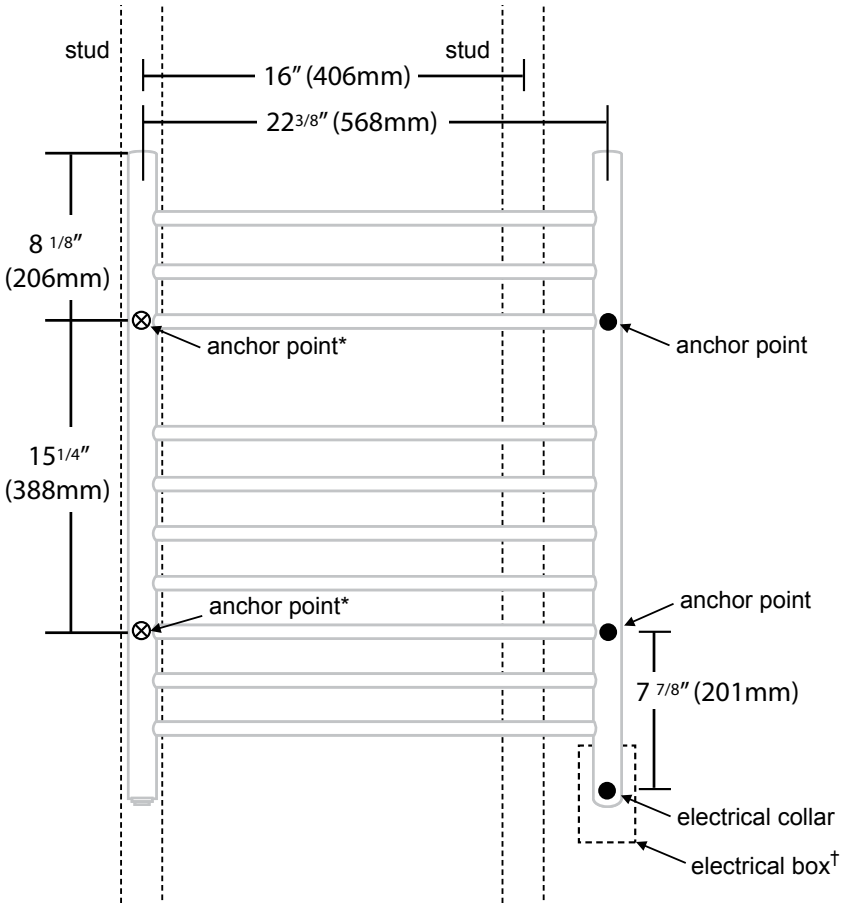
WARNING:  Locations of electrical box and anchor points may vary. Measure all dimensions prior to rough-in and installation.

Diagram A: Anchor Points and Electric Box Location




† **Note:** For hardwired model only, electrical box must be securely attached to a stud. Plug-in model only must be installed less than 6 feet (183cm) from properly grounded outlet. Do NOT use an extension cord.

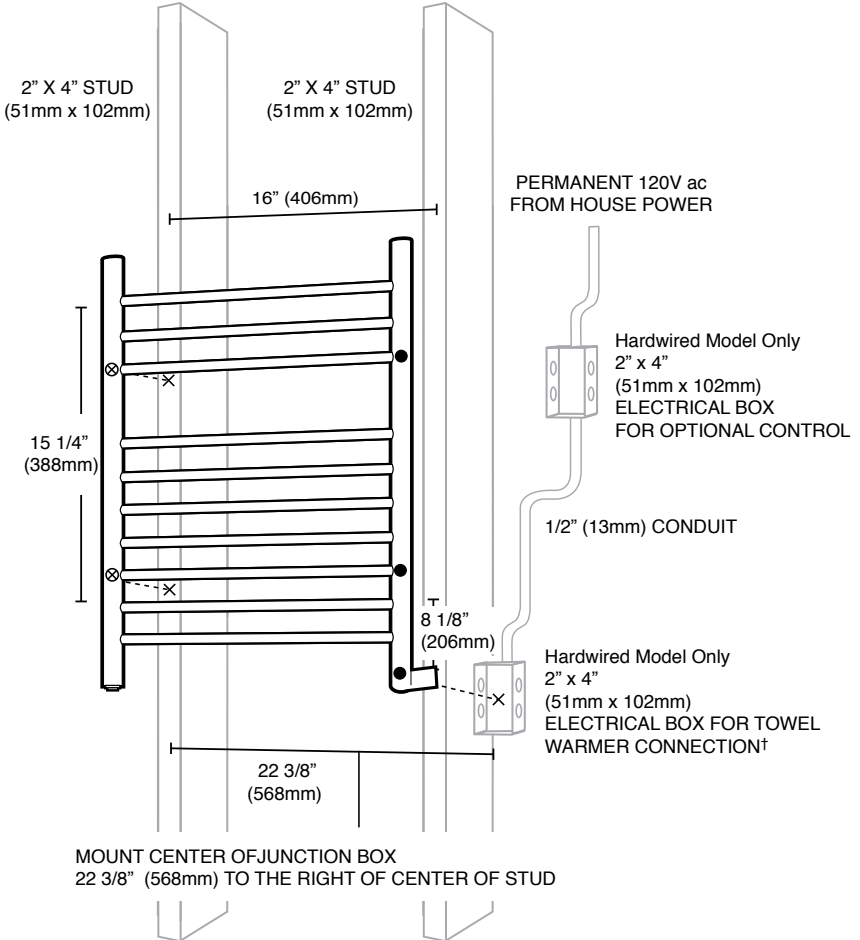
* **Note:** Anchor points must be attached to a stud.

1. Affixing the Towel Warmer to the Wall (continued)

Diagram B: Rough-In Diagram

Note: Dimensions shown are distances between the center of anchor points. This example shows 16 inches on center construction. Your situation may vary depending on stud spacing.

WARNING:  Locations of electrical box and anchor points may vary. Measure all dimensions prior to rough-in and installation.

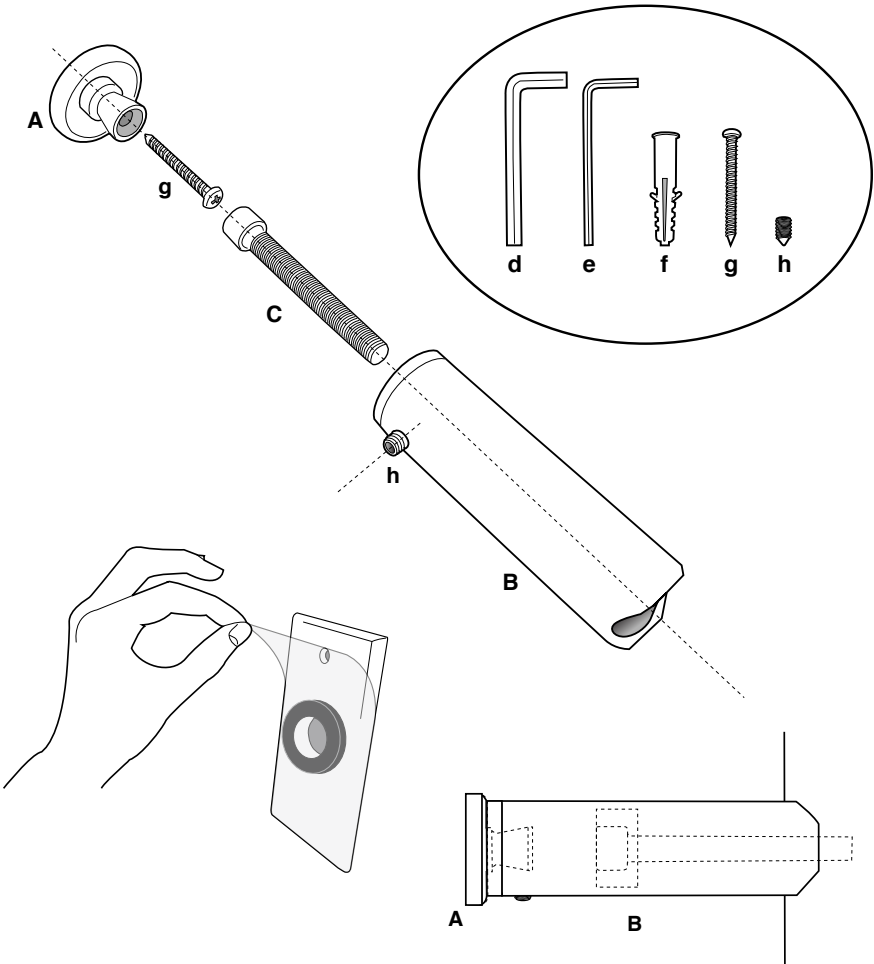
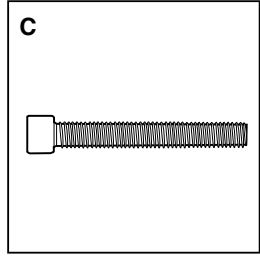
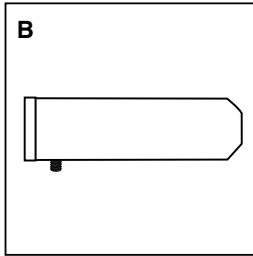
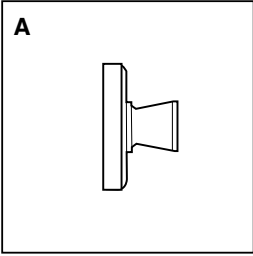


† **Note:** For hardwired model only, electrical box must be securely attached to a stud. Plug-in model only must be installed less than 6 feet (183cm) from properly grounded outlet. Do NOT use an extension cord.

* **Note:** Anchor points must be attached to a stud.

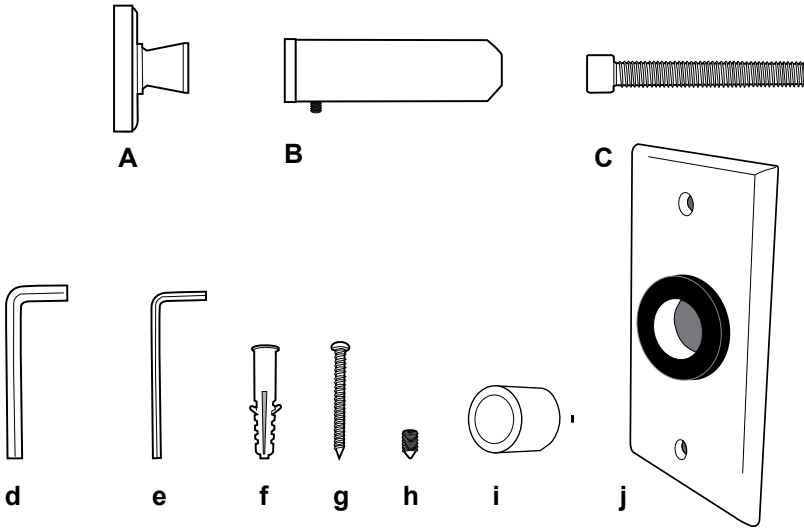
2. Bracket Assembly Instructions

Diagram C: Bracket Assembly Diagrams - Infinity



2. Bracket Assembly Instructions (continued)

Infinity TW-F10BS-HW Parts List



Infinity Brushed Stainless Steel TW-F10BS-HW		
PART #	QTY	DESCRIPTION
A. 0005-57110-0001	4	Bracket, mounting, stainless steel
B. 0005-57110-0002	4	Tube assy., mounting, stainless steel, brushed
C. 0005-57300-0001	4	Screw, tube mounting, 8mm x 70mm
d. 0005-57900-0001	1	Wrench, hex key, 8mm
e. 0005-57900-0002	1	Wrench, hex key, 6mm
f. 0005-57500-0001	4	Anchor, drywall, #8, white
g. 0005-57200-0001	4	Screw, #8, 50x4.2mm, flat
h. 0005-57200-0002	4	Screw, set, 6mm, hex
i. 0005-57810-0000	1	Collar
i. 0005-57820-0000	1	Wall plate, stainless, brushed
AK05-57820-0001	N/A	Parts Kit Assy., Infinity, TW-F10BS-HW

2. Bracket Assembly Instructions (continued)

Step 1

Measure for bracket positions using the template if desired. At least two brackets must be attached to a stud.

Step 2

Affix brackets **A** to the wall using screw **g** and drywall anchor **f** where necessary.

Repeat Step 2 for the three remaining brackets.

Step 3

Place and orient the curved end of tubing **B** with the threaded inserts located at four points on the back of the towel warmer. Affix tubing **B** to the threaded inserts with bolt **C** and tighten using the large Allen wrench **d** provided.

Repeat Step 3 for the three remaining sections of tubing.

Step 4

Loosen the hex-head screws **h** at the base of each section of tubing **B** using the smaller Allen wrench **e** provided. Hang towel warmer by aligning and sliding all four sections of tubing **B** over bracket **A**. Partially tighten hex-head screws **h** at the base of each section of tubing **B** to hold the towel warmer in place but do NOT fully secure the fasteners at this time.

Step 5

Please remove the protective film from the cover plate.

Plug-In Model Skip Steps 6-8.

Hardwired Model Only

Slide the brushed stainless collar over the end of the stainless steel tubing where the wires come out of the unit. Make sure to slide the collar over the tubing so that the larger diameter opening is facing away from the towel warmer and toward the electrical cover plate that will be placed on the towel warmer next. Remove the plastic coating from the cover plate. Slide the cover plate over the same section of stainless steel tubing. Refer to **Diagram E**. ***Do not remove rubber O-ring from electrical plate under any circumstances.*** Make sure the cover plate is slid on the tubing so that the back of the cover faces away from the towel warmer and toward the electrical outlet.

Step 6

Have a certified professional wire the towel warmer to the electrical circuit according to code, referring to the detailed wiring diagram provided in **Diagram F**.

Step 7

Push the wires into the electrical box and screw the cover plate to the outside of the box with the screws provided.

2. Bracket Assembly Instructions (continued)

Step 8

Hardwired Model Only (continued)

Ensure the rubber seal is in position and sealed correctly inside the collar. Refer to **Diagram E**. Slide the brushed stainless collar over the tube until it is touching the face of the O-ring on the cover plate.

Hardwired Model Skip Steps 9-10.

Plug-In Model Only

Plug the cord into a properly grounded outlet. Do NOT use an extension cord to make the connection between the towel warmer plug and outlet.

Step 9

Hold the towel warmer in place while tightening the hex-head screws **h** at the base of each section of tubing **B** using the smaller Allen wrench **e** provided to secure the towel warmer in place.

Step 10

Make sure the unit is turned on using the ON/OFF switch located at the bottom rail on the left side (when facing the towel warmer). A red light will illuminate the switch when the switch is turned to the "ON" position. Refer to **Diagram D** for switch location.

Diagram D

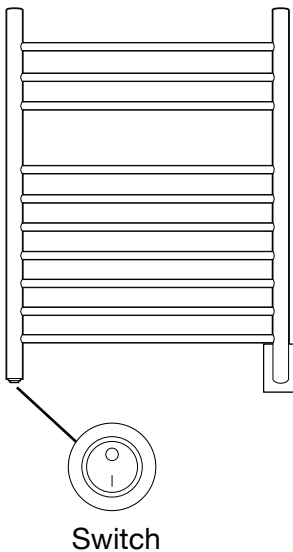
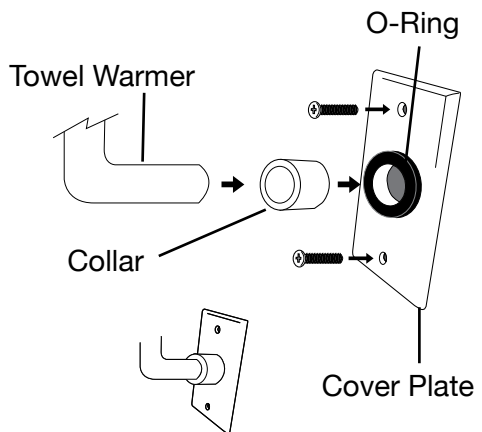


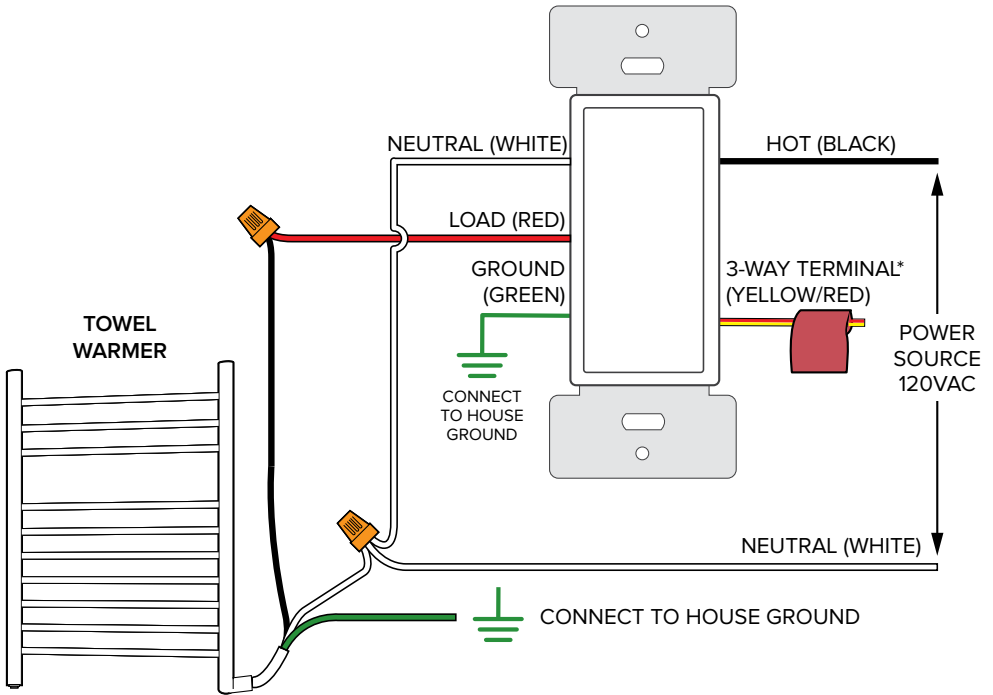
Diagram E

(hardwired model only)



3. Electrical Considerations

Diagram F: Wiring Diagram (hardwired models only)



4. OPERATION

Manual

Use the ON/OFF switch located on the bottom left side (when facing the towel warmer) to control when you want the unit to warm. Refer to **Diagram D** for switch for location.

With a Control

You may want to pair your towel warmer with a compatible WarmlyYours timer or switch. Make sure to refer to the installation manual of the control for proper operation and installation. If you have any questions, call 800-875-5285.

Warning

For optimum operation of your new towel warmer, we recommend placing no more than two (2) towels at a time on the warmer. Place the towels in a way to maximize the contact area between the towel and the towel warmer. The towel will be its warmest when it is placed over the top bar. This allows a greater portion of the towel to make the most contact with the warmer.

5. SPECIFICATIONS

Item #	Model	Dimensions	Volts	Watts	Ohms	Amps
TW-F10BS-HW	Hardwired	W: 3 5/8" (600mm) H : 32" (811mm) D: 4 3/4" (121mm)	120	150	95	1.25
TW-F10BS-PL	Plug-In	W: 23 5/8" (600mm) H: 32" (811mm) D: 4 3/4" (121mm)	120	150	95	1.25

Product Construction - Infinity Towel Warmer

The Infinity Towel Warmers are constructed from Type 304 stainless steel and have a brushed finish. The stainless steel tubing is pre-assembled and tack-welded together for rigidity. The towel warmer is heated by a UL Listed wire. The tubing used to hang the towel warmer is also made of Type 304 stainless steel with a brushed finish. The plug-in model is equipped with a UL Listed plug with grounding pin attached to a 6-foot (1.8m) cord.

Connection Method

The plug-in model has a 6-foot cord, which is located on the right side of the unit. Keep cord location and length in mind and plan accordingly when determining placement of the towel warmer in the room. The unit must be plugged into an outlet that is properly grounded. For automatic control of the plug-in unit, a timer can be used. The Infinity hardwired model is fed electricity into the towel warmer via a section of stainless steel tubing. The tubing can rotate to facilitate wiring. The tubing has an outside diameter suitable to secure the rubber O-ring on the electrical cover plate. The stainless steel tubing projects through the O-ring and into the front of the 2" x 4" (51mm x 102mm) electrical junction box that is properly grounded. This box is secured in the wall and, a water resistant seal is made with the use of the rubber O-ring. Power can then be fed to the control unit, which may be located anywhere in the room.

Safety Ratings

Infinity Towel Warmers are cETLus Listed and are suitable for use in US and Canadian markets. The main electrical line feeding the towel warmer must incorporate an Appliance Leakage Current Interrupter (ALCI) for North America.

6. WarmlyYours Towel Warmer Warranty

WarmlyYours.com Inc. warrants the WarmlyYours towel warmers (“the Product”) to be free from defects in materials and workmanship for two years from the date of sale, provided that the Product is installed in accordance with the accompanying Installation and Operation Manual and any special written design or installation guidelines provided by WarmlyYours.com Inc. for this product, the National Electric Code (NEC) and Canadian Electrical Code (CEC), and all applicable local building and electrical codes. Controls sold under the WarmlyYours.com Inc. name are warranted for one year from the date of sale.

Any suspected defect must be reported by registered letter immediately upon discovery. The determination of such a defect must be made by WarmlyYours.com Inc. or its authorized representative only. This warranty is null and void if the product is improperly installed, improperly operated, or abused. WarmlyYours.com Inc. assumes no responsibility under this warranty for any damage to the product caused by any trades person, or visitor on the job site, or damage caused as a result of post installation work.

Under this Limited Warranty, WarmlyYours.com Inc. will provide the following remedy:

If the Product is determined to be defective in materials and workmanship, and has not been damaged as a result of misuse or misapplication, WarmlyYours.com Inc. will refund the original purchase price or replace the towel warmer, at WarmlyYours.com Inc. expense. WarmlyYours.com Inc. will not be liable for the labor required to replace the towel warmer.

The Limited Warranty is null and void if the project owner or his representative attempts to repair the Product without receiving authorization. Upon notification of a real or possible problem, WarmlyYours.com Inc., will issue an Authorization to Proceed under the terms of the Limited Warranty.

WARMLYYOURS.COM INC. DISCLAIMS ANY WARRANTY NOT PROVIDED HEREIN, INCLUDING ANY IMPLIED WARRANTY OF MERCHANTABILITY OR IMPLIED WARRANTY OF FITNESS FOR A PARTICULAR PURPOSE. WARMLYYOURS.COM INC. FURTHER DISCLAIMS ANY RESPONSIBILITY FOR SPECIAL, INDIRECT, SECONDARY, INCIDENTAL, OR CONSEQUENTIAL DAMAGES ARISING FROM OWNERSHIP OR USE OF THIS PRODUCT, INCLUDING INCONVENIENCE OR LOSS OF USE. THERE ARE NO WARRANTIES WHICH EXTEND BEYOND THE FACE OF THIS DOCUMENT. NO AGENT OR REPRESENTATIVE OF WARMLYYOURS.COM INC. HAS ANY AUTHORITY TO EXTEND OR MODIFY THIS WARRANTY UNLESS SUCH EXTENSION OR MODIFICATION IS MADE IN WRITING BY A CORPORATE OFFICER.

Please fill in warranty card information at
<http://www.warmlyyours.com/towel-warmers/warranty>
or call (800) 875-5285 to register via phone.